

# 5000 Series VacuFlush® Toilets

Compact Design. Powerful, Efficient Flush.



Model 5009  
VacuFlush Toilet

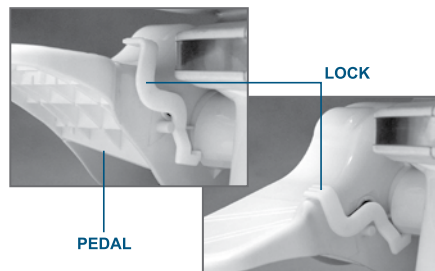
SeaLand 5000 series VacuFlush® toilets deliver many value-added benefits of a vacuum toilet system to a wide range of boat installations.

The clean, odor-free performance of VacuFlush 5000 series toilets is the result of freshwater flushing, instantaneous evacuation of bowl contents, and thorough rinsing action. Using only 1 US pint (0.5 liter) per flush, 5000 series toilets greatly extend the use of a holding tank between pump-outs as compared to manual and other electric toilets which consume three or four times more water. An integral water-line check valve provides anti-siphon protection for freshwater systems.

Available in three heights, the 5000 series will accommodate diverse floor plans, including placement on raised platforms. Shallow front-to-back footprint dimensions allow boatowners fit one in virtually any space. All three sizes are available in sparkling white and bone colors.

## Pedal Lock

5140 series VacuFlush® toilets include a pedal lock. When installed in a toilet system with a VHT 12, VHT 4500, or VHT 5200 vacuum holding tank, the pedal lock holds the flush ball open to allow positive air pressure into the holding tank during pump-out. This helps assure thorough discharge of the holding tank.



## Key Benefits

- Powerful vacuum flush; foot-pedal activated
- Ultra low water consumption – only 1 pint (0.5 liter) per flush
- Small footprint – fits in most any head compartment
- Full-size residential-style wood seat.
- Deep, household-size bowl
- Three heights available – standard, medium and low-profile
- Through-the-floor or through-the-wall discharge options
- 12 V DC or 24 V DC operation (connects to VacuFlush vacuum generator or holding tank system)

## Technical Specifications for 5000 Series VacuFlush® Toilets

MODEL	DESCRIPTION	DISCHARGE	WEIGHT**
5006	Low-profile VacuFlush toilet	through the floor*	27 lbs./12.2 kg
5009	Standard-height VacuFlush toilet	through the floor*	28 lbs./12.7 kg
5047	Standard-height VacuFlush toilet	above the floor, right	28 lbs./12.7 kg
5048	Standard-height VacuFlush toilet	above the floor, rear	28 lbs./12.7 kg
5049	Standard-height VacuFlush toilet	above the floor, left	28 lbs./12.7 kg
5146	Medium-height VacuFlush toilet	through the floor*	28 lbs./12.7 kg
5147	Medium-height VacuFlush toilet	above the floor, right	28 lbs./12.7 kg
5148	Medium-height VacuFlush toilet	above the floor, rear	28 lbs./12.7 kg
5149	Medium-height VacuFlush toilet	above the floor, left	28 lbs./12.7 kg

\* Hose or pipe discharge connection. All others use hose only.

\*\* Weights may vary ± 2-3 percent.

Specifications subject to change without notice.

## 5000 Series VacuFlush System Requirements

ELECTRICAL	Vacuum pump* draw	6 amps/12 V DC; 3 amps/24 V DC)
	Vacuum pump* circuit breaker/fuse	10 amps/12 V DC; 5 amps/24 V DC)
WATER SUPPLY	ID	0.5 in. NPT fitting
	Flow rate	2.0 gpm/7.6 lpm at toilet, minimum
DISCHARGE	ID	1.5 in./38 mm ID plumbing
	Horizontal run**	50 ft./15 m maximum to vacuum source
	Vertical run**	6 ft./1.8 m maximum to vacuum source
REQUIRED COMPONENT	Vacuum source †	VacuFlush vacuum generator, vacuum holding tank, or holding tank system

\* Required for J and S series VacuFlush vacuum generators.

\*\* Based on J and S series VacuFlush vacuum generator specifications. Where applicable, see VHT series vacuum holding tank manual for other installation specifications.

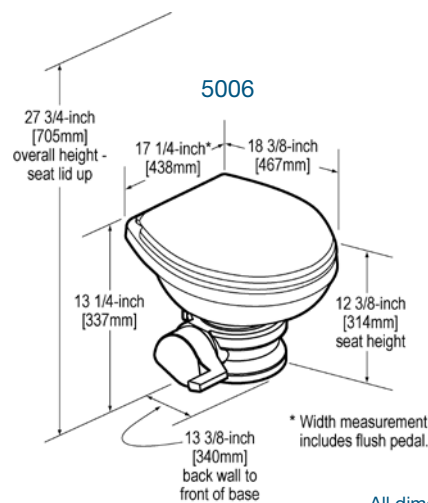
† Purchased separately.

Specifications subject to change without notice.



Model 5147  
VacuFlush Toilet

## Dimensions



All dimensions may vary ± 0.375 in. (10 mm)

